



Royal Industrial Suppliers

Quality Fasteners Specialist

No. 4, M.G.S. Complex, Benki Nawab Street, S.P. Road Cross, Bangalore 560002

An ISO 9001:2015 Certified Co



8310165941 / 9008782885



sales@royalfastenersindia.com

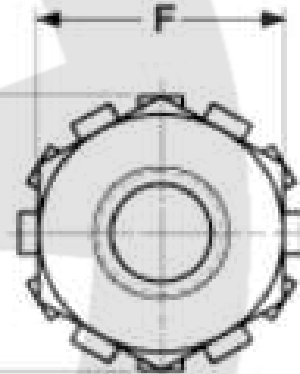
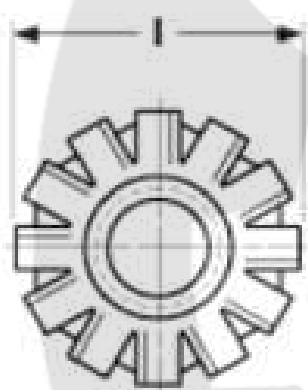


www.royalfastenersindia.com

HEX CAP NUT
DIN 917

CATALOGUE NUMBER: **R4D15K**

ANSI 304 A2



Send your Orders / Enquiries along with the following Item Codes

All Dimensions are in MM

Parameter ↓	Size →	M3x0.5	M4x0.7	M5x0.8	M6x1.0	M8x1.25	M10x1.5
Item Code →		R4D15K03000	R4D15K04000	R4D15K05000	R4D15K06000	R4D15K08000	R4D15K10000
Washer Width I		6.30	8.00	9.20	11.00	14.90	19.00
Nut Thickness H		2.40	3.20	4.00	5.00	6.50	8.00
Width A/F F		5.50	7.00	8.00	10.00	13.00	17.00
Width A/C G		6.01	7.66	8.79	11.05	14.38	18.90

Sizes in BLUE are non-preferred. Availability is limited and MOQ is higher.

Data is strictly informative.

Note: All Austenitic Stainless Steel Fasteners may exhibit some Magnetic Properties due to the Manufacturing Process.

Refer: ISO 3506-2 Annex F